



Examination Light

Nova Exam[®] LED

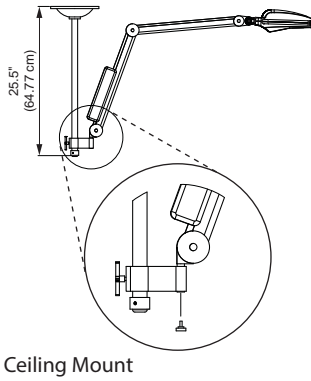
Superior illumination and uniform light beam delivered on a highly positionable arm.

Nova Exam LED meets the demands of today's clinical examination applications. The LED Chip-on-Board light source produces light that enhances physician/patient comfort while delivering a high illuminance level and a highly-uniform beam pattern. A sleek head design, combined with a patented K-arm, allows quick and reliable positioning while being easy to clean and maintain. Economical benefits include less maintenance and longer light-source life.

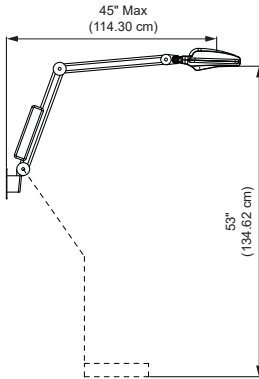


burton[®]

Versatile
Nova Exam
LED is available
in a variety of
mounting options
– Mobile Floor
Stand, Table, Wall
or Ceiling – to fit
any application.
(Rail Mount sold
separately)



Ceiling Mount



Wall Mount

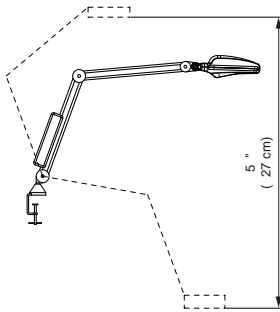
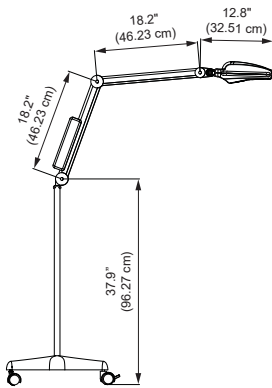


Table Mount



Mobile Floor Stand

Summary of technical data

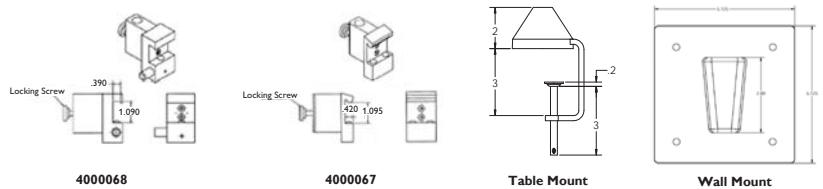
Illuminance:	Low Level 45,000 Lux at 18" High Level 90,000 Lux at 18"
Color Temperature:	4100 Kelvin
Color Rendering Index (CRI):	>95
Light Source:	Light Emitting Diode (LED)
Rated Life:	50,000-hour average LED life
Input Power:	Low Level 7 Watts High Level 14 Watts
Mounting Options:	Mobile Floor Stand, Wall/Table Mount, Ceiling Mount, (Rail Mount sold separately)
Maximum Arm Reach:	45" (114.30 cm)
Applications:	General examination
Certifications/Approvals:	IEC 60601-2-41 (2013) ANSI/AAMI ES60601-1:2005 and A!:2009/(R)2012, CSA CAN/CSA-C22.2 NO. 60601-1:14
Product Warranty:	5-year limited warranty

Ordering Information

Universal Input 100v - 240v, 50-60 Hz	Description
NXFL	Nova Exam LED Mobile Floor Stand, NEMA 5-15P
NXFL01	Nova Exam LED Mobile Floor Stand, CEE7/7
NXFL02	Nova Exam LED Mobile Floor Stand, AS/NZS 3112
NXFL03	Nova Exam LED Mobile Floor Stand, BS 1363
NXT	Nova Exam LED Table Mount, NEMA 5-15P
NXT01	Nova Exam LED Table Mount, CEE7/7
NXT02	Nova Exam LED Table Mount, AS/NZS 3112
NXT03	Nova Exam LED Table Mount, BS 1363
NXW	Nova Exam LED Wall Mount, NEMA 5-15P
NXW01	Nova Exam LED Wall Mount, CEE7/7
NXW02	Nova Exam LED Wall Mount, AS/NZS 3112
NXW03	Nova Exam LED Wall Mount, BS 1363
NXC	Nova Exam Ceiling Mount

ACCESSORIES

Model	Description
4000071	10' Ceiling Drop Tube (42")
4000068	Din Style Rail Mount
4000067	Fairfield Style Rail Mount



IEC Plug Type



LIT - 0079 REV 06

© 2022 Burton Medical. All rights reserved. Burton Medical reserves the right to make changes in specifications and/or to discontinue any product at any time without notice or obligation and will not be liable for any consequences resulting from the use of this publication.

burton®
Lighting Specialties
www.lightingspecialties.com
(800) 876-2852